

TEXT COMPRESSION

by Sean G.



Too much input! Please help me compress some data in order to make more space in my memory banks.

Fill in the nodes so that each phrase can be made by tracing a path.

A letter can only appear ONCE in a graph.

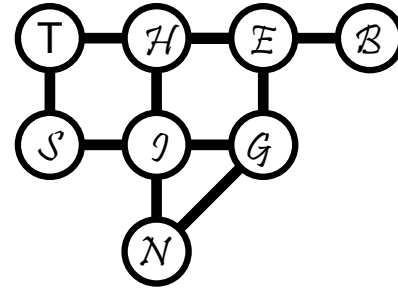
You CAN retrace your path.

You CAN stay on a node to repeat a letter.

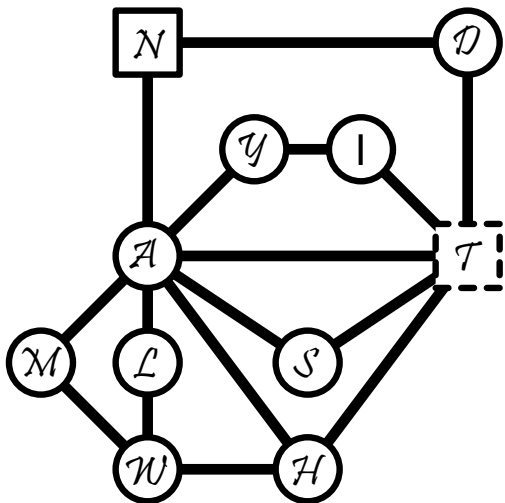
The starting letters have been placed for you.

Example:

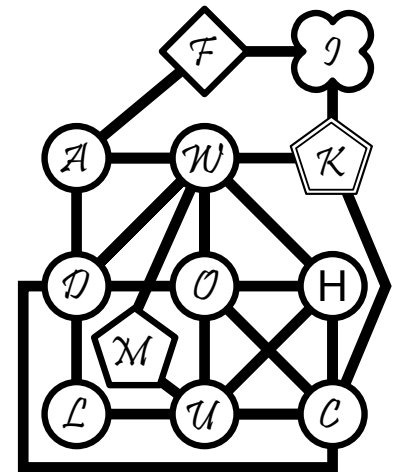
THIS IS THE BEGINNING



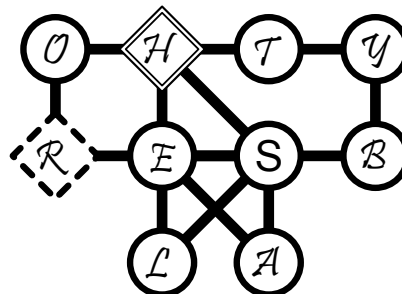
I YAM WHAT I YAM AND
THAT'S ALL WHAT I YAM



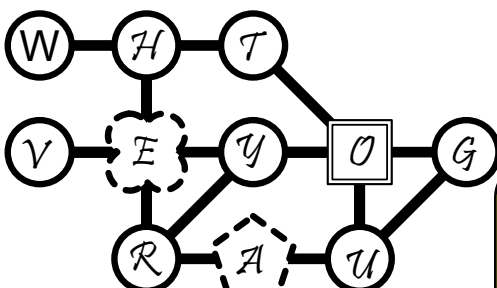
HOW MUCH
WOOD WOULD
A WOODCHUCK
CHUCK IF
A WOODCHUCK
COULD CHUCK
WOOD?



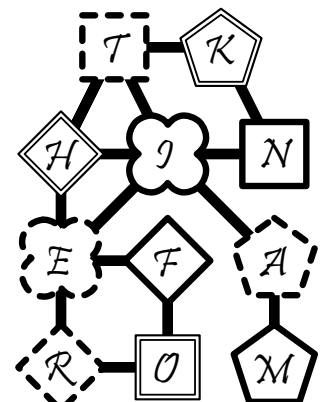
SHE SELLS SEASHELLS
BY THE SEASHORE



WHEREVER YOU GO,
THERE YOU ARE



*Who said
this?*



Final answer:

Descartes

(I THINK THEREFORE I AM)