

# TEXT COMPRESSION

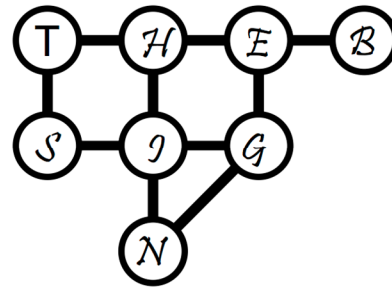
by Sean G. (Bay Area - Peninsula)

Too much input! Please help me compress some data in order to make more space in my memory banks.

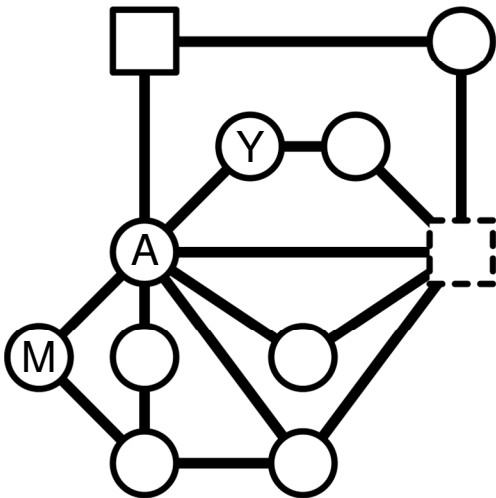
Fill in the nodes so that each phrase can be made by tracing a path.  
A letter can only appear ONCE in a graph.  
You CAN retrace your path.  
You CAN stay on a node to repeat a letter.  
The starting letters have been placed for you.

Example:

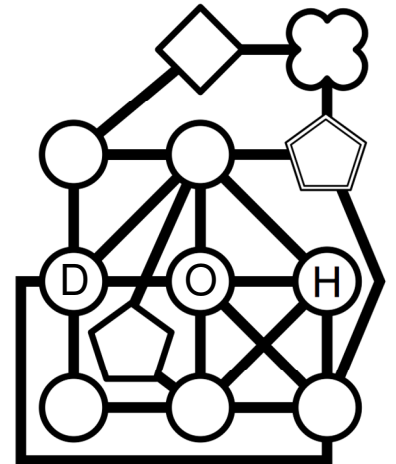
THIS IS THE BEGINNING



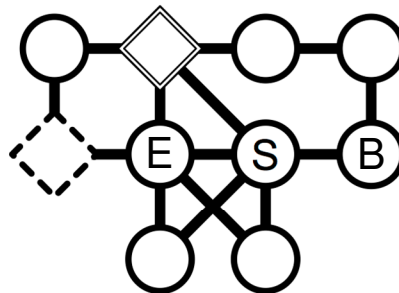
I YAM WHAT I YAM AND  
THAT'S ALL WHAT I YAM



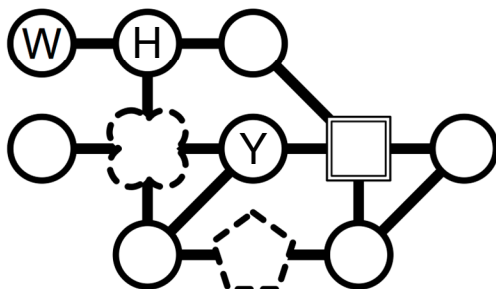
HOW MUCH  
WOOD WOULD  
A WOODCHUCK  
CHUCK IF  
A WOODCHUCK  
COULD CHUCK  
WOOD?



SHE SELLS SEASHELLS  
BY THE SEASHORE



WHEREVER YOU GO,  
THERE YOU ARE



*Who said  
this?*

