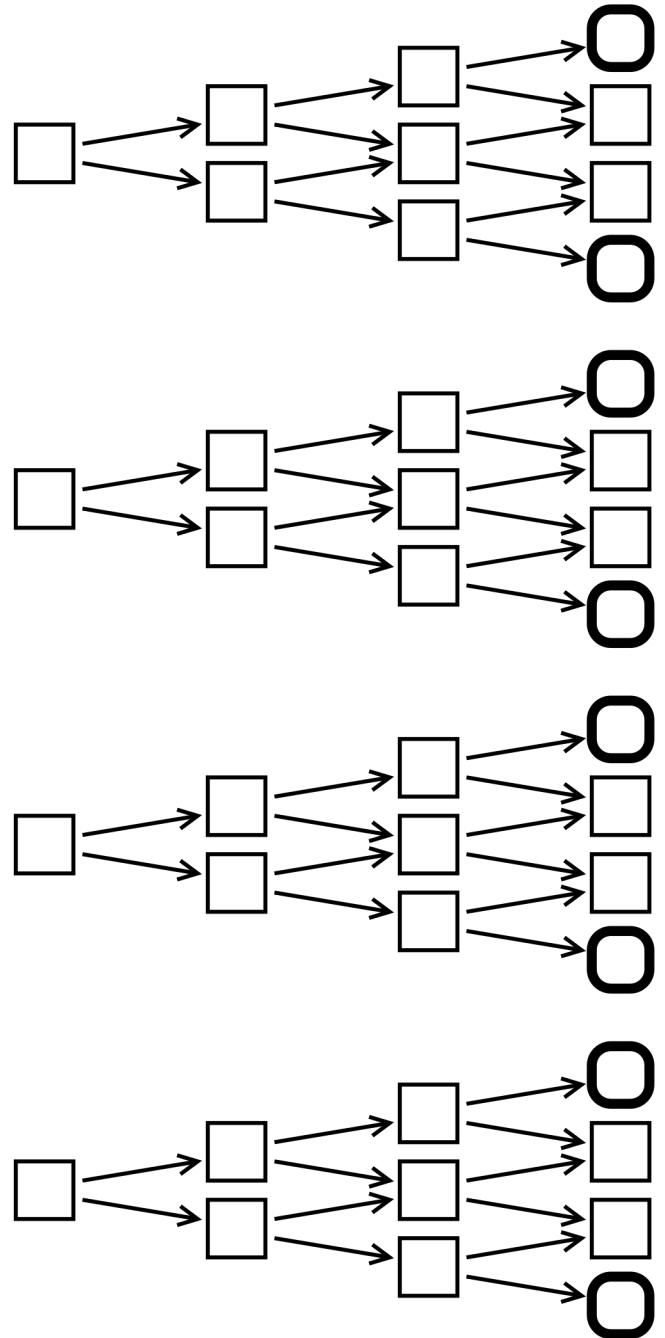




GARNET'S FUTURE VISION

Garnet has the ability to view possible futures across multiple timelines. In some cases, her predictions can be as good as **GOLD**, but what else does she potentially see approaching?

- Applaud
- Bacon, ham, etc.
- Barely spicy
- Clump of dirt (or insult that Peridot often uses)
- Distance rarely run in under four minutes
- Epic multi-part tale
- Family name of Groucho, Chico, and Harpo
- Feature of a horse or lion
- Fell to the ocean floor
- Free lunches or flexible hours at work, e.g.
- Gent
- Herb of wisdom?
- Light, smooth fabric
- Lively and energetic
- Morsel of chocolate or potato
- Nation south of Libya
- Not naked
- Opposite of starboard
- Place to wash your hands or dishes
- Possessing all one's mental faculties
- Red planet
- Remains of a banana
- Seductive woman
- Structure for storing grain
- Sulk
- Tailless cat breed
- Take an early look
- Transfer liquid from bottle to glass
- Très stylish
- Trigonometric function
- Wooden shoe
- Workplace of the seven dwarfs



G **O** **L** **D**
 ↑ ↓ ↑ ↓ ↑ ↓ ↑ ↓
 ○ ○ ○ ○

Garnet's answer: